

Rotating Cabinet Screen via Keyboard Led SCR

Dear GameEX User who wants to use an rotating Screen with the PlugInRotate
Thanks to the programmer headkaze.

When the SCR Led is on the screen rotates to the vertical position

When the SCR Led is off the screen rotates to horizontal position

For a rotating screen we need an output-Signal from PC and attach it to an Relay.
After this you can use the relay contact for rotating the screen.

There are several ways to make this work.

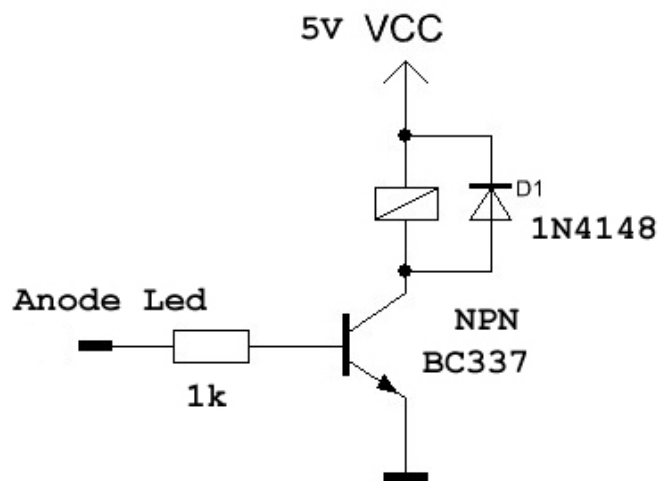
a) use an old keyboard

Look for an old keyboard with 3 Leds. The one we need is the SCR Led.

Open the keyboard and search for the anode of the SCR Led.

Search for ground at the keyboard and 5V power supply.

After this you can use the relay contact of the 5V Relais for turning.



b) use of JammaASD

You can use a Jamma Interface with LEDs like JammaASD

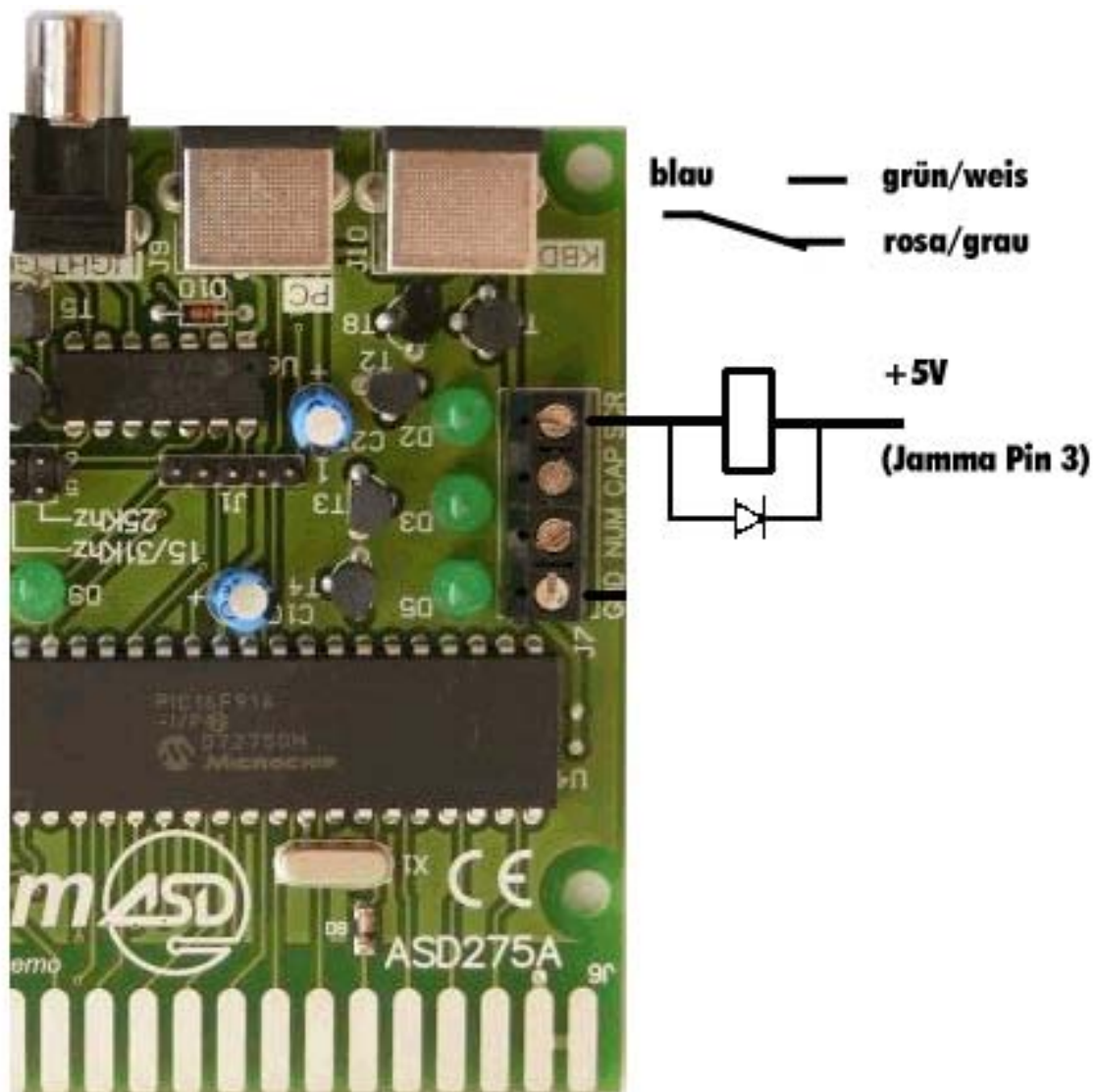
http://www.webasd.com/public/doc/ASD275/ASD275A_UserManualEN.pdf

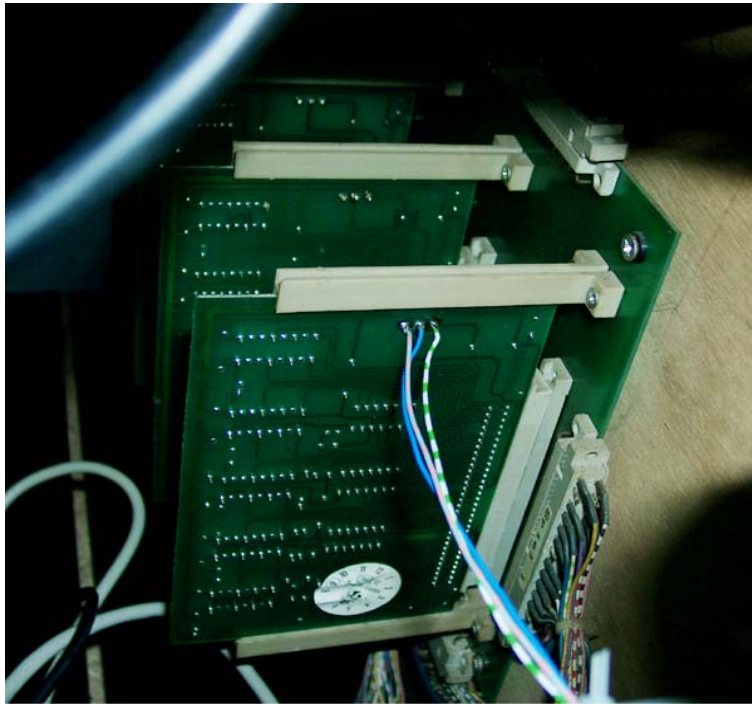
<http://www.webasd.com/prod/ITA/interfacce.asp>

Or you can buy it at: www.arcadeshop.de

You only need a 5V Relais and a diode

The colors blau (blue), grün/weis (green/white), rosa/grau (pink/grey) are used for a german cabinet called Quadro Games. It can take up to 4 Jamma PCB's and can turn the screen to vertical.



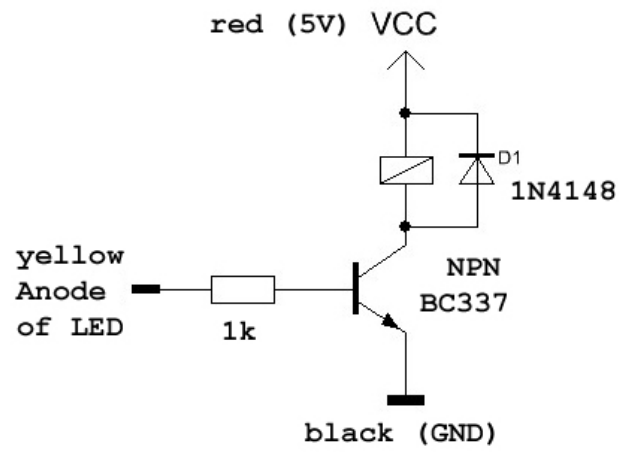


(PCB of the Cabinet Quadro Games for rotating the Screen.

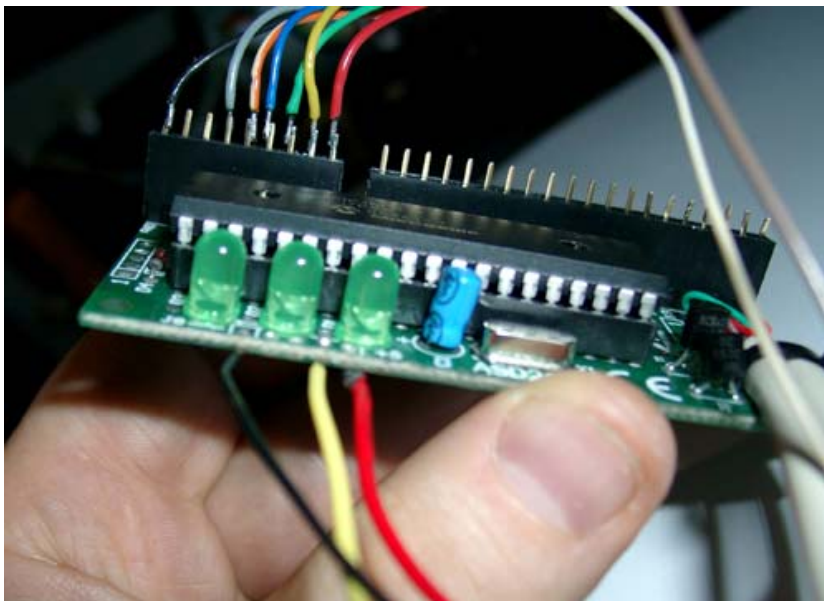
c) use of InterfASD Keyboard Encoder

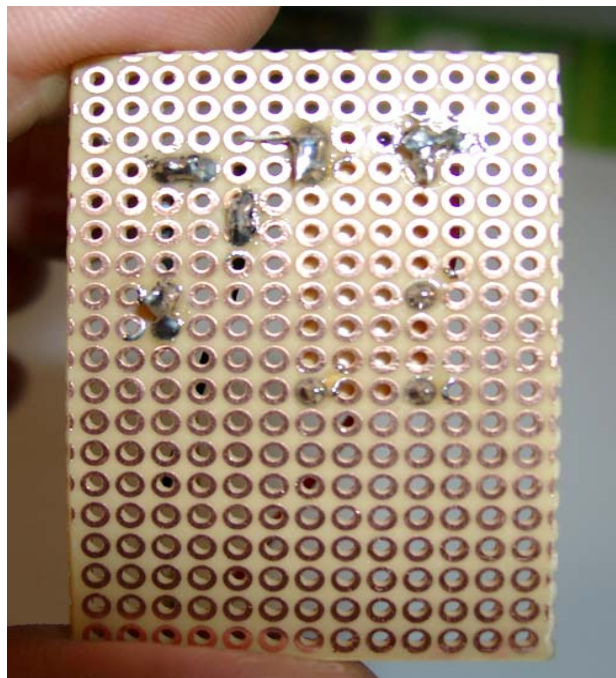
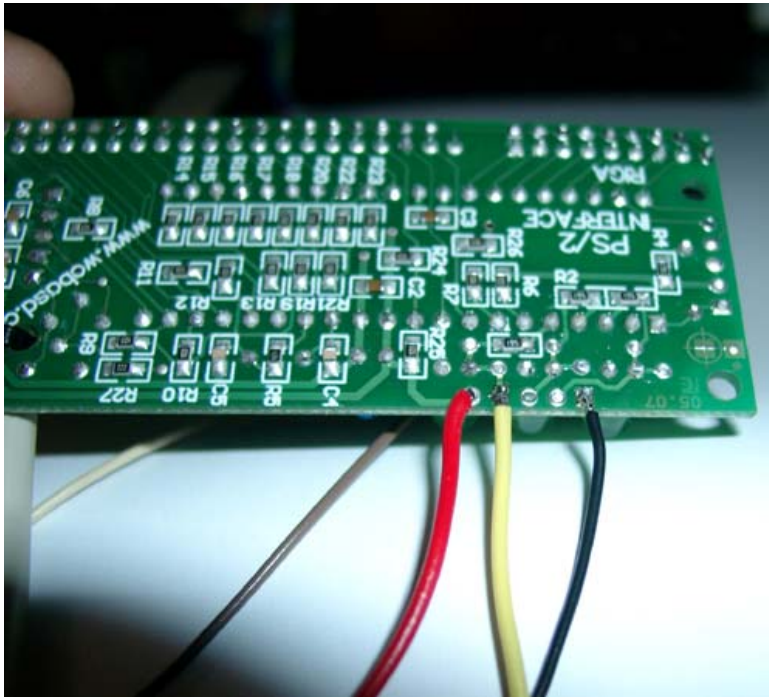
You can use a Keyboardencoder with leds like:

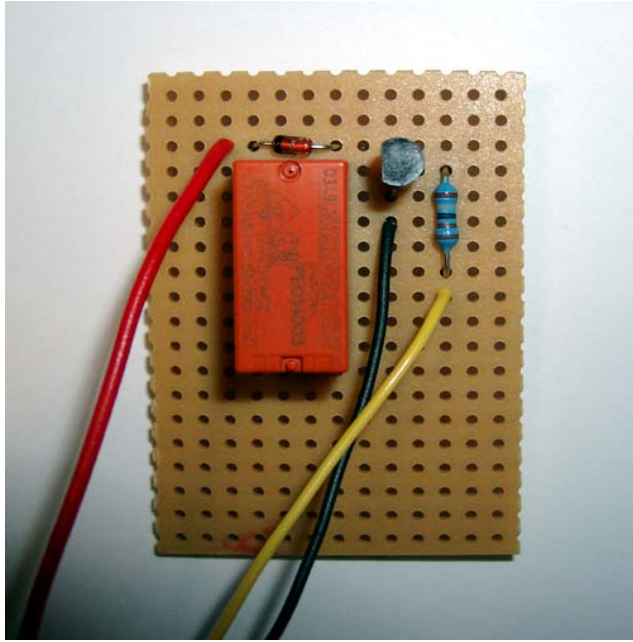
http://www.webasd.com/prod/ENG/detail_19.asp?CodProd=ASD261



or you can order it at www.arcadeshop.de







If you have any questions, you can contact me at: klaus@wolfsoft.de

Or if you want to see how a rotating Cabinet works look at: <http://www.wolfsoft.de> and search for retroarcade or directlink: http://www.wolfsoft.de/shop/product_info.php/products_id/14369